



Model ICB234-26 shown with two MAX Induction® Ranges & one AF-350 Self-Contained Downdraft Air Filter System

Project: _____

Item #: _____ Quantity: _____

Model #: _____



Induction Cooking Station (Built-In)

- Model: ICB234-18 (w/Two 1800Watt Ranges)**
ICB234-26 (w/Two 2600 Watt Ranges)
ICB348-18 (w/Three 1800 Watt Ranges)
ICB348-26 (w/Three 2600 Watt Ranges)

Order Guide:

√	Model #	Ranges	Voltage/Power	AF350 Filters
	ICB234-18	2	110-120V/1800W	1
	ICB234-26	2	208-220V/2600W	1
	ICB348-18	3	110-120V/1800W	2
	ICB348-26	3	208-220V/2600W	2

Short Form Specifications:

Unit to be a Spring USA Model: ICB_____ [Specify 234 for two ranges or 348 for three ranges] - _____ [Specify 18 for 1800 watt or 26 for 2600 watt] Induction Cooking Station, with flush mounted MAX Induction® Ranges, with 5mm thick, tempered glass cook tops; individual SmartScan® controls providing: voltage, pan size and pan type recognition, choice of power or temperature mode, ferrous pan recognition, large LED power/temp display; one or two, quiet downdraft AF-350 Air Filter Systems; an integrated Power Management System, plus all the features listed, for easy installation in a display cooking or cabinet base (by others).

Construction & Performance Features:

- Choice of 34" model with two or 48" model with three ranges
- Heavy duty, easy to clean, stainless steel work top with ranges pre-installed
- Sturdy support frame for top, with full back panel and lower frame supports for under-counter filter system
- Rear frame mounted Power Management System for mounted Power Management System for single point power connection via NEMA 14-50P plug

Construction & Performance Features – Air Filter System:

- Frame mounted AF-350 downdraft filtration system (s) with:
- Attractive stainless steel, counter-level, capture flue (s)
- Washable pre-filter, primary cell filter & carbon absorption filter
- Delivering 96.7% capture of 1-3 micron particulate

Construction & Performance Features – MAX Induction® Ranges

- Option for 1800 watt or 2600 watts of power
- Rugged 5mm thick, easy to clean, tempered glass cook top
- Easy-service drawer slide for AF-350 Self-Contained Downdraft Air Filter System

Individual Solid State SmartScan® PC Controls With:

- Power On/Off
- Power On/Pan Present Indicator Light
- Simple Knob-Set Thermostat Control
- Digital LED display of Power Level from 1-20 [Cook Mode] or Temperature 100°-400°F [Temp Mode]
- Cook/Temp Mode Touch Pad
- Cook & Temp Mode Indicator Lights
- Over/Under Voltage Protection Standard
- Black, Smoke-Glass, Tempered Faceplate

Standard Warranty:

One-year, parts & labor

Agency Listings:

Induction Ranges

- FCC
- ETL
- CETL
- ETL
- UL Sanitation to NSF-4
- UL 197

Air Filter System

- UL
- UL Sanitation to NSF-4
- ANSI/NSF No. 2
- CETL Approved

Available Accessories:

Induction-Ready Cookware, Utensils & Replacement Filters – See Spring USA Product Catalog

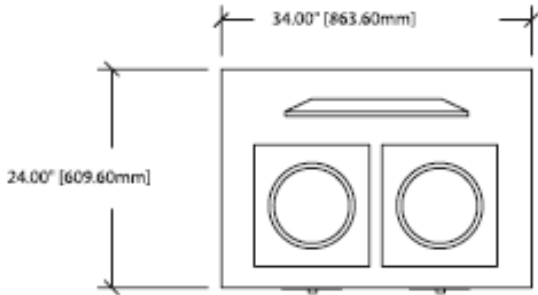
Induction Cooking Station (Built-In)

Project: _____

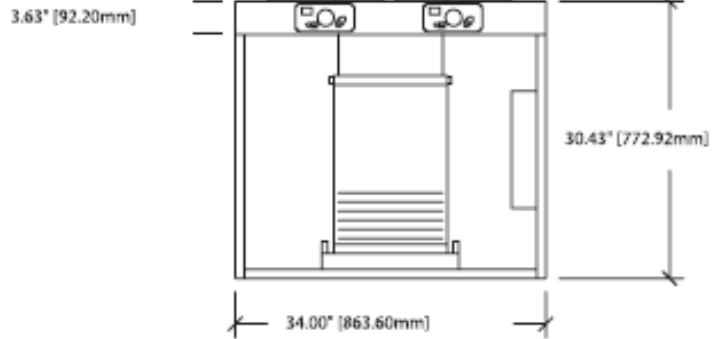
Item #: _____ Quantity: _____

Model #: _____

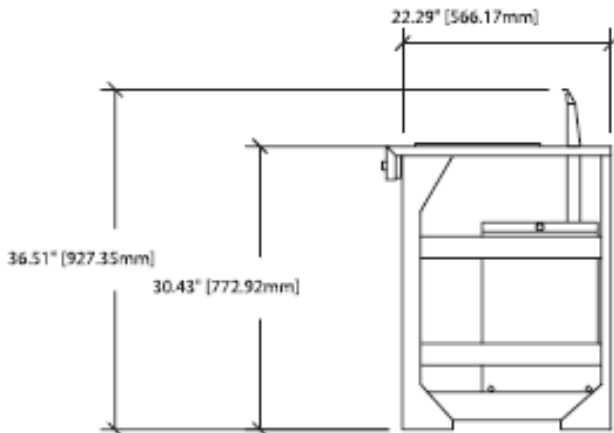
Model: ICB234-18 (w/Two 1800Watt Ranges)
ICB234-26 (w/Two 2600 Watt Ranges)
ICB348-18 (w/Three 1800 Watt Ranges)
ICB348-26 (w/Three 2600 Watt Ranges)



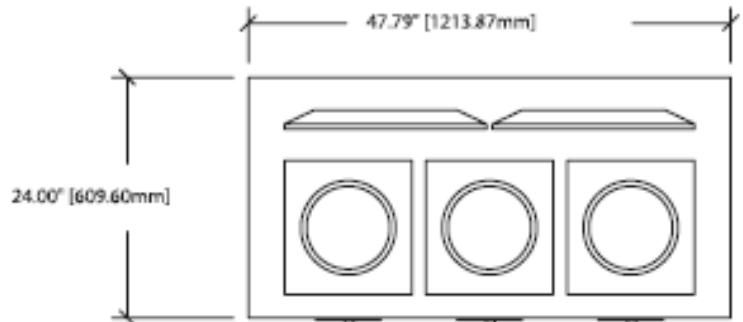
TOP VIEW [34" Models]



FRONT VIEW [34" Models]



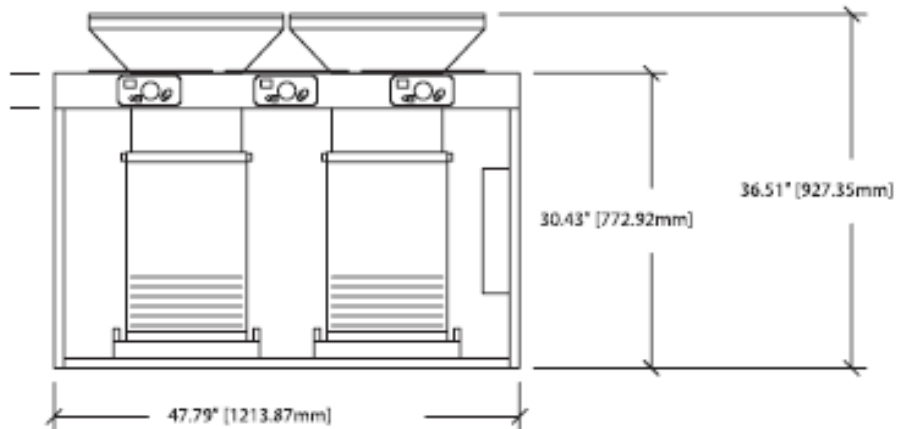
SIDE VIEW



TOP VIEW [48" Models]



Model ICB234-26 with two, MAX Induction® Ranges & one AF-350 Downdraft Air Filter – (Solid surface top, not included)



FRONT VIEW [48" Models]



Induction Cooking Station (Built-In)

Project: _____

Item #: _____ Quantity: _____

Model #: _____

**Model: ICB234-18 (w/Two 1800Watt Ranges)
 ICB234-26 (w/Two 2600 Watt Ranges)
 ICB348-18 (w/Three 1800 Watt Ranges)
 ICB348-26 (w/Three 2600 Watt Ranges)**

[EC] Electric Requirements Total—[From Power Management System]:

Model	Voltage	Phase	Hertz	kW	Amps	Plug*	Receptacle
ICB234-18	110-120 AC	1	60	3.95	33	NEMA 14-50P	NEMA 14-50R
ICB234-26	208-220 AC	1	50 or 60	5.55	27	NEMA 14-50P	NEMA 14-50R
ICB348-18	110-120 AC	1	60	6.1	50	NEMA 14-50P	NEMA 14-50R
ICB348-26	208-220 AC	1	50 or 60	8.5	42	NEMA 14-50P	NEMA 14-50R

*6' (1.8 m) power cord with plug provided

Key Dimensions & Shipping Information:

Model(s)	Unit Width	Unit Depth	Frame Height*	Shipping Weight*	Shipping Carton Dimensions		
					Length	Width	Height
ICB234-18	34"	24"	30.43"	220 lbs.	72"	38"	47"
ICB234-26	(864 mm)	(610 mm)	(773 mm)	(100 kg)	(1829 mm)	(966 mm)	(1194 mm)
ICB348-18	47.79"	24"	30.43"	298 lbs.	72"	38"	47"
ICB348-26	(1214 mm)	(610 mm)	(773 mm)	(135 kg)	(1829 mm)	(966 mm)	(1194 mm)

* Top of air filter intake will extend 5.36" (136 mm) above work top.

* 41.88" (1063 MM) to top of air filter flue intake

Notes & Conditions:

1. Ensure that you have dedicated power wherever you are planning to use your Induction Cooking Station (Built-In). Refer to the MAX Induction® Operation Manual for detailed instructions regarding power requirements & specific operating instructions.
2. For optimum performance, your MAX Induction® Ranges must have good air circulation. **Your induction range must have proper ventilation at all times.** Refer to your MAX Induction® Operation Manual for steps on how to properly clean and maintain your induction range(s).
3. Induction Cooking Station (Built-In) module must be installed (by others) in a base cabinet or display cooking pedestal, by a qualified contractor.
4. A convenient installation/work height of 32" - 36" (915 mm) is recommended.
5. Induction ranges require the use of ferrous metal, induction-ready cookware.

Due to continuous product improvement, specifications are subject to change without notice

Refer to Individual Specification Sheets for the Induction Ranges, as well as the AF-350 Air Filtration System for detailed maintenance instructions